

BulletCam HL

Wired AI-powered security IP camera with hybrid illumination, TrueWDR, microphone, and PoE/12 V. For outdoor and indoor use.



Product versions

BulletCam HL (5 Mp/2.8 mm)

- 5 MP
- f/2.8 mm (fixed)
- up to 2880 × 1620 px
- 25 fps (3K UHD)
- 100°–110°

BulletCam HL (8 Mp/2.8 mm)

- 8 MP
- f/2.8 mm (fixed)
- up to 3840 × 2160 px
- 20 fps (4K UHD)
- 100°–110°

BulletCam HL (5 Mp/4 mm)

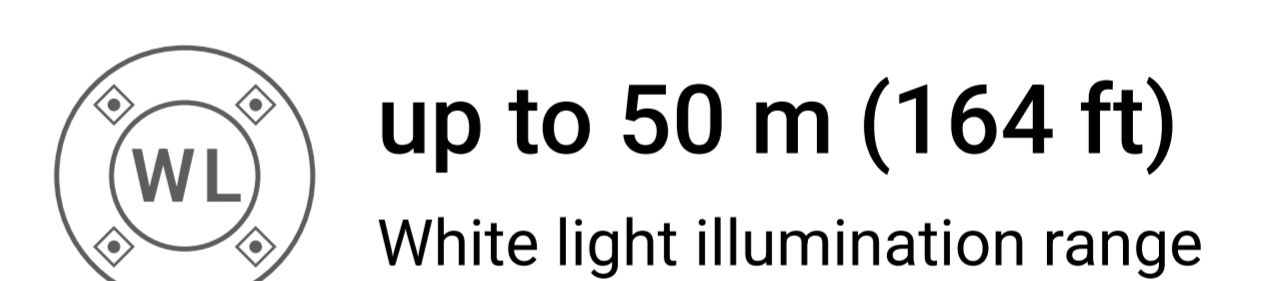
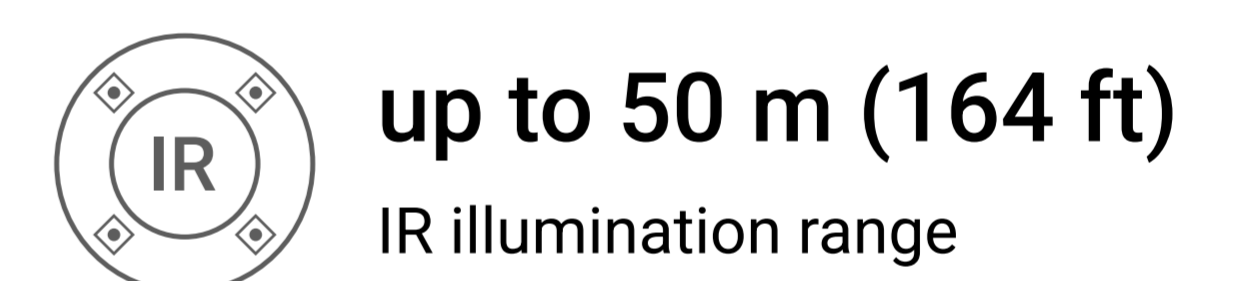
- 5 MP
- f/4 mm (fixed)
- up to 2880 × 1620 px
- 25 fps (3K UHD)
- 75°–85°

BulletCam HL (8 Mp/4 mm)

- 8 MP
- f/4 mm (fixed)
- up to 3840 × 2160 px
- 20 fps (4K UHD)
- 75°–85°

Clear image with full-color details, day and night

Hybrid illumination in BulletCam HL cameras automatically switches between infrared and white light based on object recognition or motion detection. This ensures high image quality in low-light conditions and at night. The feature provides full-color footage for better object recognition and helps deter intruders when white light is activated.



Uncompromising security and privacy

- Passwordless camera authentication via mutual TLS (mTLS) handshake
- TLS-encrypted video streams
- User-controlled access to video content
- Secure video export with digital signature verification
- Multi-tiered account protection: passcodes, biometrics, and two-factor authentication
- Session control for additional account security
- NDAA-compliant components and protocols

Seamless user experience

- AI-powered object recognition: humans, vehicles, and pets¹
- High-resolution visual verification of alarms via video scenarios¹
- Instant transition from notifications to on-site video recordings¹
- Camera synchronization with security system modes
- Real-time monitoring with a customizable video wall
- True WDR (Wide Dynamic Range) for superior image quality

Smooth archive navigation

- Proprietary JetSparrow technology for instant, secure video streaming and smooth archive navigation
- Instant access to live view
- Fast archive navigation using event timeline, calendar view, and search filters
- Dual streams for instant preview and optimized bandwidth usage
- Quick video clip export in just a few clicks

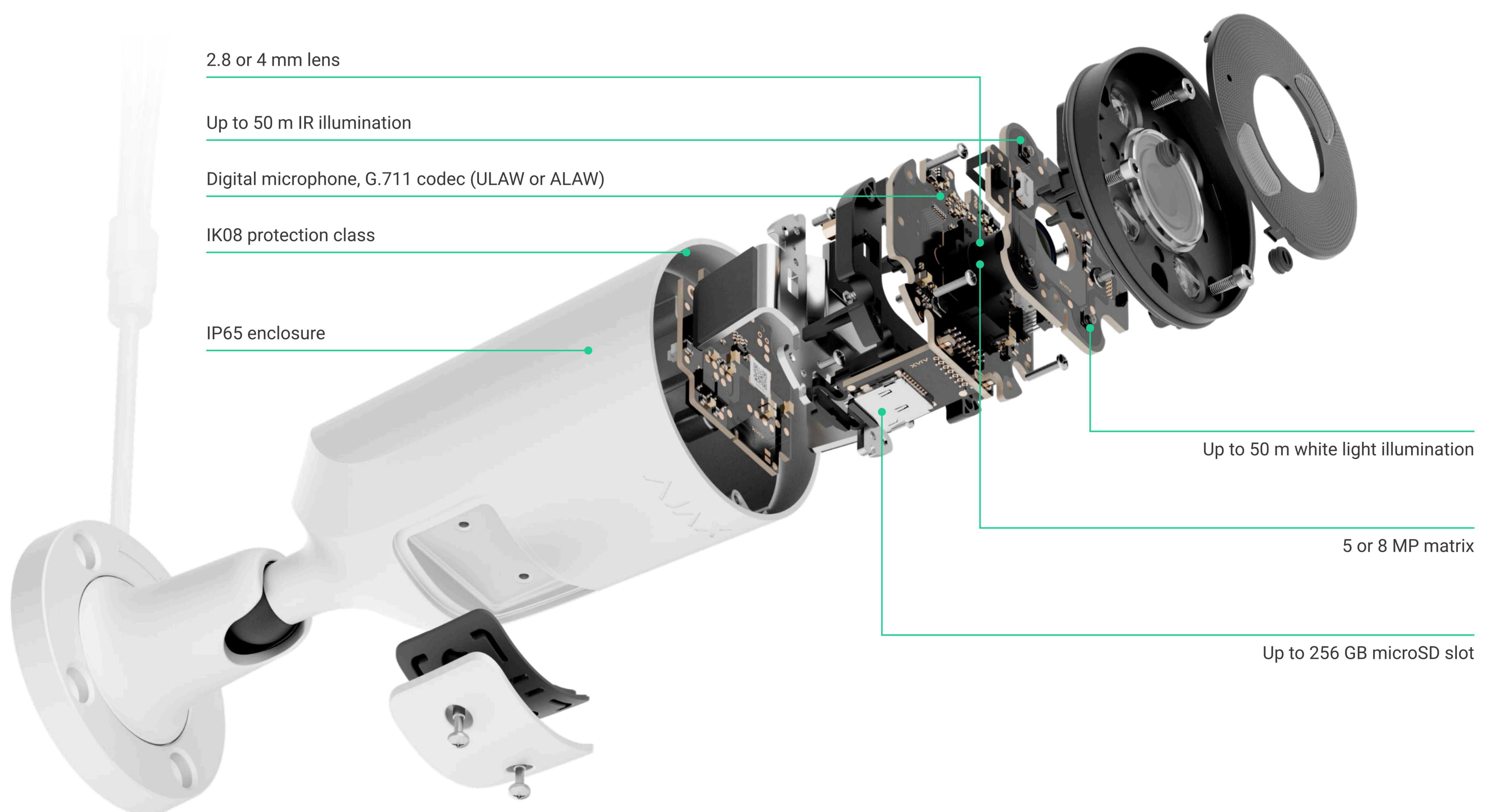
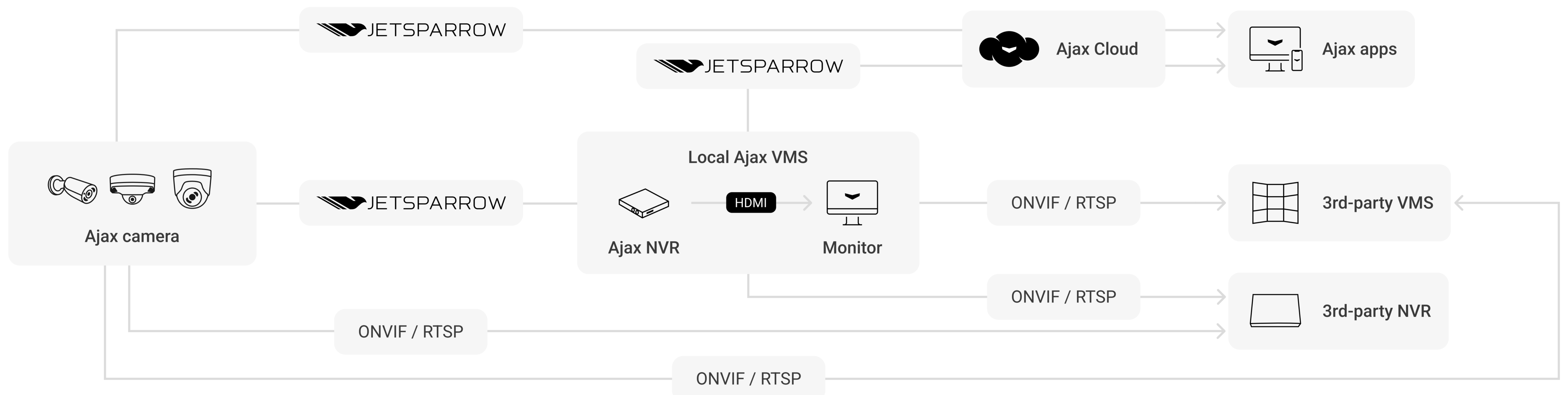
Easy installation and maintenance

- Adding to an Ajax system via QR code
- Remote control and configuration via Ajax apps
- Support for ONVIF/RTSP authorization
- Motion detection zone configuration via Ajax mobile and desktop apps
- Real-time system health monitoring with automatic state checks

Flexible video surveillance for any scale and scenario

BulletCam HL cameras use Ajax Cloud to transmit system events and JetSparrow technology for fast, secure peer-to-peer video data transmission. With AI-powered object recognition, the camera can identify humans, vehicles, and pets, ensuring only relevant activity is recorded. Strict event filtering helps save storage space and streamlines archive navigation.

Hybrid illumination provides full-color image quality day and night. The camera can be activated depending on the security mode, making video surveillance precisely selective and effective.



BulletCam HL cameras can operate without the Ajax NVR – the video archive is stored locally on a microSD card if installed.

DORI distance

Version	Detection	Observation	Recognition	Identification
BulletCam HL (5 Mp/2.8 mm)	65 m (213 ft)	26 m (85 ft)	13 m (42 ft)	6.5 m (21 ft)
BulletCam HL (5 Mp/4 mm)	86 m (282 ft)	34.4 m (112 ft)	17.2 m (56 ft)	8.6 m (28 ft)
BulletCam HL (8 Mp/2.8 mm)	90 m (295 ft)	36 m (118 ft)	18 m (59 ft)	9 m (29 ft)
BulletCam HL (8 Mp/4 mm)	117.5 m (385 ft)	47 m (154 ft)	23.5 m (77 ft)	11.6 m (38 ft)

<p>Key features</p> <p>JetSparrow Proprietary Ajax protocol for fast and secure video transmission</p> <p>Motion detection Built-in software to detect motion in the frame</p> <p>Object recognition with built-in AI People Pets Vehicles</p> <p>Visual verification of Ajax system alarms</p> <p>Built-in digital microphone</p> <p>Activate sirens upon detection feature</p> <p>Automation scenarios</p> <p>Alarm verification Motion detection AI-powered recognition Detector alarm Automation scenarios</p>	<p>Video and optics</p> <p>Resolution 5 MP version: up to 2880 × 1620 px @ 25 fps (3K UHD) 8 MP version: up to 3840 × 2160 px @ 20 fps (4K UHD)</p> <p>Lens 2.8 mm: 100°–110° viewing angle 4 mm: 75°–85° viewing angle</p> <p>Image processing True WDR hardware and software</p> <p>Video compression H.265, H.264</p> <p>Bitrate 100 Mbps full-duplex</p> <p>Simultaneous live view Up to 5 channels</p> <p>Backlight IR illumination White light illumination</p> <p>Video stream ONVIF¹ RTSP</p>	<p>Enclosure</p> <p>Dimensions 197.5 × 76 × 76 mm 7.78" × 2.99" × 2.99"</p> <p>Weight 550 g 19.4 oz</p> <p>Colors black, white</p> <p>Protection class IP65 IK08</p>	<p>Power supply</p> <p>Power supply unit 8–14 V_{DC}</p> <p>Ethernet 10/100 Mbps (RJ-45)</p> <p>Ethernet port PoE standard 802.3at/af</p> <p>Power consumption up to 8.5 W</p>
		<p>Compliance with standards</p> <p>CE RoHS NDAA</p>	<p>Installation</p> <p>Operating temperature range from -30 °C to +60 °C from -22 °F to +140 °F</p> <p>Operating humidity up to 90%</p> <p>Complete set BulletCam HL Installation template Installation kit Quick start guide</p>

¹ Full support for Profile S, partial support for Profiles T and M.



For detailed information, scan the QR code or follow the link:
ajax.systems/support/devices/bulletcam-hl/

✉ support@ajax.systems
📧 @AjaxSystemsSupport_Bot
🌐 ajax.systems