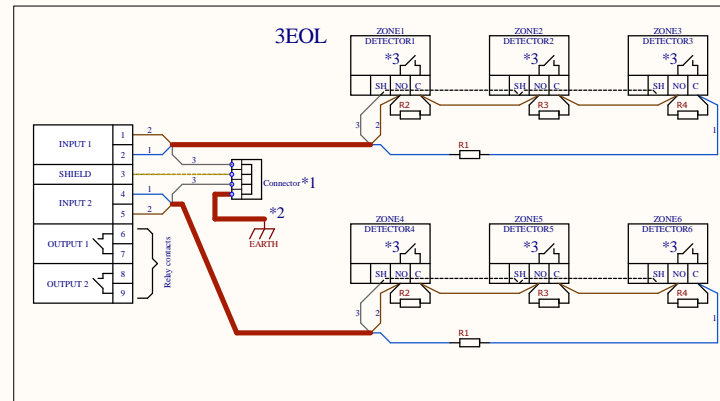
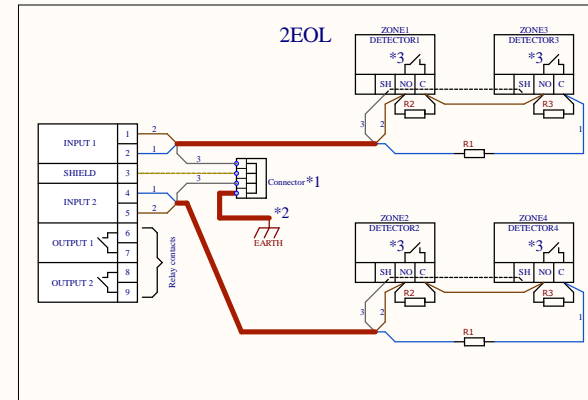
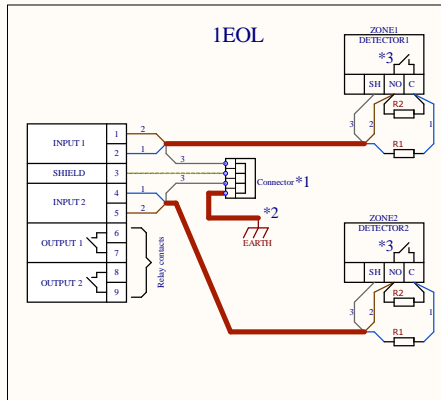
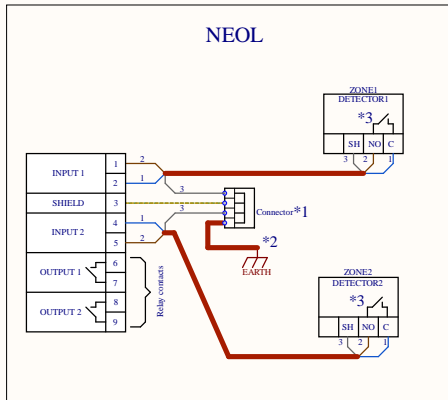


## Example of connecting inputs



SH - shield  
 NO - normal open  
 NC - normal close  
 C - common

\*1 Connector could be optional  
 \*2 Connection to SHIELD could be optional and just for inputs. Use it like:  
 -SHIELD  
 -SHIELD and EARTH  
 -EARTH  
 -without EARTH and SHIELD  
 \*3 Contact in detector could be NO or NC