

New hassle-free smart control panel for your home

The akubela HyPanel Ultra, a 10.36-inch smart home control center featuring a high-definition 2000 × 1200 resolution screen with ultra-slim bezels. Its minimalist metal exterior seamlessly integrates high-end aesthetics, delivering a visually stunning experience. Powered by Android 12, it supports various smart home control apps and achieves seamless integration between third-party apps and the original interface. It also boasts built-in sensors for temperature, humidity, proximity, light, enhancing data collection and analysis capabilities. It is designed to bring whole-house smart automation, providing an outstanding user experience.

At a Glance

- 10.36 inch touch screen with metal frame
- 2K(2000×1200) UHD display
- Built in with 2 channels dry contact, 8 digital inputs, RS485 port, PoE+
- Multi networks supported: Wi-Fi 6, Bluetooth 5.0, ZigBee 3.0, etc.
- Built in with multiple sensors
- Android 12 OS
- Intercom, ZigBee gateway and smart home control panel in one device
- Compatible with various third-party devices and platforms



Basic Information

- Model Number: PH81-PoE-ST
- Power Supply: IEEE802.3at PoE & 12-24VDC
- Maximum Power Consumption: 15W
- Digital Input: 8 gang(dry contact input)
0-5VDC, rated current: <100mA
- Dry Contact Output:
2 gang, 0-30VDC, rated current: 2A
Wire gauge: 0.08 ~ 0.5mm²(28 ~ 20AWG)
- RS485 Port: Supported
- Operation System: Android 12
- RAM/ROM: 4GB/32GB
- Wi-Fi: WiFi6, @2.4GHz/5GHz
- Bluetooth: Bluetooth 5.0
- Ethernet Port: 1xRJ45, 10/100Mbps adaptive
- ZigBee: ZigBee 3.0
- ZigBee Sub-Device Limit: 128
- Microphone: Dual microphones, -26dBFS
- Speaker: Dual speakers, 4Ω/2W

Appearance

- Material: Metal frame
- Screen: 10.36" multi-touch screen
- Screen Resolution: 2000×1200 pixels
- Screen Brightness: 360 cd/m²



Sensors Built In

- Proximity Sensor: 30~60cm
- Light Sensor: Low-level lux detection
- Temperature Sensor: $\pm 1^{\circ}\text{C}$, range: $-10^{\circ}\text{C} \sim 50^{\circ}\text{C}$
- Humidity Sensor: $\pm 5\%$, range: 10%~90%RH, without condensation

- Working Temperature: $-10^{\circ}\text{C} \sim 50^{\circ}\text{C}$
- Storage Temperature: $-20^{\circ}\text{C} \sim 70^{\circ}\text{C}$

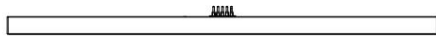
Installation

- Installation: Wall flush mounting
- Flush Mounted Module: EU/UK/US standard

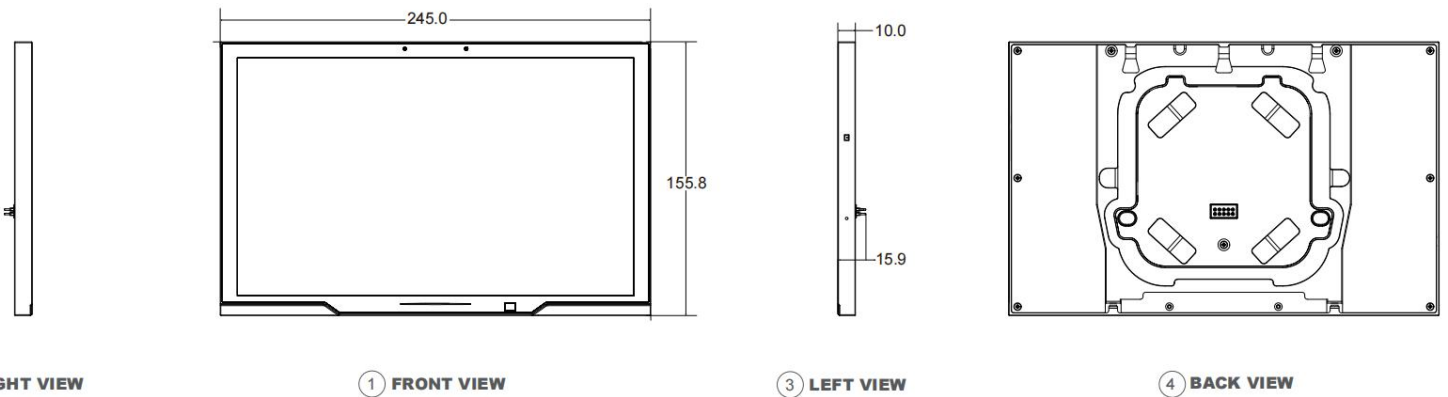
Working Environment

- Environment: For indoor use only
- Working Humidity: 10%~90%RH, without condensation

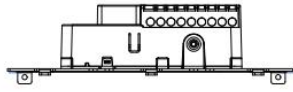
Product Dimension Diagram (mm)



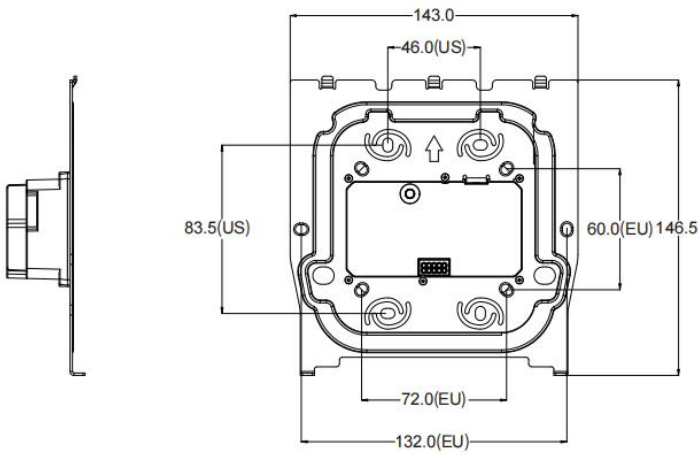
⑤ BOTTOM VIEW



⑥ TOP VIEW



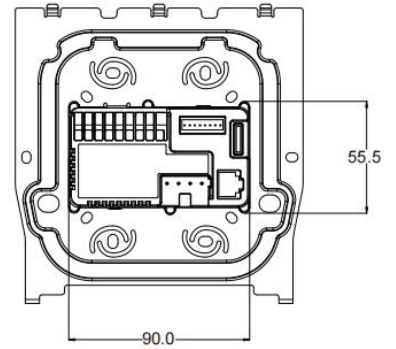
5 BOTTOM VIEW



1 FRONT VIEW

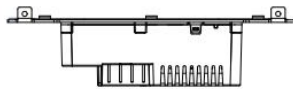


2 RIGHT VIEW



4 BACK VIEW

3 LEFT VIEW



6 TOP VIEW