

DS-2DF8C435MHG1-ELWYP

8C Series 4MP 35X DarkfighterX Traffic Network Speed Dome



Hikvision DS-2DF8C435MHG1-ELWYP 4MP 35 × Network Speed Dome adopts 1/1.8" progressive scan CMOS chip. With the 35 × optical zoom lens, the camera offers more details over expansive areas.

This series of cameras can be widely used for wide ranges of high-definition, such as the rivers, forests, roads, railways, airports, ports, squares, parks, scenic spots, stations and large venues, etc.

- Dual sensor 1/1.8" progressive scan CMOS
- High quality imaging with 4 MP resolution
- Excellent low-light performance with DarkFighterX technology
- 35× optical zoom and 16× digital zoom provide close up views over expansive areas
- 300 m IR distance
- Water and dust resistant (IP67) and vandal resistant (IK10)
- Efficient H.265+/H.265 compression technology
- Smart Pan-Tilt Correction
- Multiple violations supported: illegal parking detection, reverse driving detection, over lane line detection, illegal lane change detection, vehicle on non-motor vehicle lane, U-turning detection

▪ Specification

Camera	
Image Sensor	Two sensors, 1/1.8" progressive scan CMOS
Min. Illumination	Color: 0.0004 Lux @ (F1.6, AGC ON), B/W: 0.0001 Lux @ (F1.6, AGC ON), 0 Lux with IR
Shutter Speed	1/30s~1/30000 s
Slow Shutter	Yes
Day & Night	IR cut filter
Zoom	35x optical, 16x digital
Max. Resolution	2688 × 1520
Lens	
Focus	Auto/manual/semi - auto
Focal Length	5.9mm to 206.5 mm, 35× Optical
Zoom Speed	Approx. 4.3 s
FOV	Horizontal field of view: 60.2° to 2.24°(wide-tele), vertical field of view: 36° to 1.26°(wide-tele), diagonal field of view: 68° to 2.56°(wide-tele)
Aperture	Max. F1.6
Illuminator	
Supplement Light Type	Hybrid
Supplement Light Range	up to 300 m
Smart Supplement Light	Yes
PTZ	
Movement Range (Pan)	360°, Smart Pan-Tilt Correction
Movement Range (Tilt)	-20° to 90° (auto flip), Smart Pan-Tilt Correction
Pan Speed	Pan speed: configurable from 0.1° to 210°/s; preset speed: 280°/s
Tilt Speed	Tilt speed: configurable from 0.1° to 150°/s, preset speed 250°/s
Proportional Pan	Yes
Presets	300
Patrol Scan	8 patrols, up to 32 presets for each patrol
Pattern Scan	4 pattern scans, record time over 10 minutes for each scan
Power-off Memory	Yes
Park Action	Preset, pattern scan, patrol scan, auto scan, tilt scan, random scan, frame scan, panorama scan
3D Positioning	Yes
PTZ Status Display	Yes
Preset Freezing	Yes
Scheduled Task	Preset, pattern scan, patrol scan, auto scan, tilt scan, random scan, frame scan, panorama scan, dome reboot, dome adjust, aux output
Video	
Main Stream	50 Hz: 50 fps (2688 × 1520, 2560 × 1440), 100 fps (1920 × 1080, 1280 × 960, 1280 × 720); 60 Hz: 60 fps (2688 × 1520, 2560 × 1440), 120 fps (1920 × 1080, 1280 × 960, 1280 × 720) *High frame rate is supported under monitoring mode only.
Sub-Stream	50 Hz: 25 fps (704 × 576, 640 × 480, 352 × 288) 60 Hz: 30 fps (704 × 480, 640 × 480, 352 × 240)

Third Stream	50 Hz: 25 fps (1920 × 1080, 1280 × 960, 1280 × 720, 704 × 576, 640 × 480, 352 × 288) 60 Hz: 30 fps (1920 × 1080, 1280 × 960, 1280 × 720, 704 × 480, 640 × 480, 352 × 240)
Video Compression	Main stream: H.265+/H.265/H.264+/H.264 Sub-stream: H.265/H.264/MJPEG Third stream: H.265/H.264/MJPEG
Video Bit Rate	32 Kbps~16 Mbps
H.264 Type	Baseline Profile/Main Profile/High Profile
H.265 Type	Main Profile
Scalable Video Coding (SVC)	H.264 and H.265 encoding
Region of Interest (ROI)	8 fixed regions for each stream
Target Cropping	No
Audio	
Audio Compression	G.711/MP3/MP2L2/G.722.1/G.726/AAC-LC/PCM
Audio Bit Rate	64 Kbps (G.711ulaw/G.711alaw)/8~320 Kbps(MP3)/32~192 Kbps(MP2L2)/16 Kbps(G.722.1)/16 Kbps(G.726)/16~64 Kbps(AAC-LC)
Audio Sampling Rate	MP2L2: 16kHz, 32kHz, 48kHzAAC-LC: 16kHz, 32kHz, 48kHzPCM: 8kHz, 16kHz, 32kHz, 48kHzMP3: 8kHz, 16kHz, 32kHz, 48kHz
Environment Noise Filtering	Yes
Network	
Smooth Streaming	Yes
Security	Password protection, complicated password, HTTPS encryption, 802.1X authentication (EAP-TLS, EAP-LEAP, EAP-MD5), watermark, IP address filter, basic and digest authentication for HTTP/HTTPS, WSSE and digest authentication for Open Network Video Interface, RTP/RTSP over HTTPS, control timeout settings, security audit log, TLS 1.3, host authentication (MAC address), TPM 2.0 (FIPS 140-2 level 2)
Network Storage	NAS (NFS, SMB/ CIFS), ANR
Protocols	UDP, IPv6, IPv4, ICMP, TCP/IP, DNS, DHCP, IGMP, RTP, RTSP, NTP, QoS, HTTP, 802.1X, SSL/TLS, HTTPS, DDNS, FTP, SNMP, WebSockets, RTCP, WebSocket, SFTP, PPPoE, SMTP, UPnP
API	ISAPI, EZVIZ, Open Network Video Interface, ISUP, OTAP, SDK
Simultaneous Live View	Up to 20 channels
User/Host	Up to 32 users. 3 levels: Administrator, Operator and User
Client	HikCentral, iVMS-4200, Hik-Connect
Web Browser	IE11, Chrome 57.0+, Firefox 52.0+, Safari 11+
Image	
Image Parameters Switch	Yes
Image Settings	Saturation, brightness, contrast, sharpness, gain, and white balance adjustable by client software or web browser
Day/Night Switch	Schedule, Night, Day, Auto
Image Enhancement	BLC, HLC, 3D DNR
Wide Dynamic Range (WDR)	150 dB WDR
Defog	Digital Defog
Image Stabilization	Yes. Built-in gyroscope to improve EIS performance.
Regional Exposure	Yes
Regional Focus	Yes
Privacy Mask	Up to 24 masks, polygon region, mosaic mask, mask color configurable
SNR	≥ 52 dB

Supplement Detection	
Gyroscope	Yes
Satellite Positioning	No
Compass	No
Interface	
Reset	Yes
Ethernet Interface	1 RJ45 10M/100M self-adaptive Ethernet port
On-board Storage	Built-in memory card slot, support MicroSD/MicroSDHC/MicroSDXC, up to 1 TB
Alarm	7 inputs, 2 outputs
Audio	1 input (line in), max. input amplitude: 2-2.4 vpp, input impedance: 1 K Ω \pm 10%; 1 output (line out), line level, output impedance: 600 Ω
Video Output	1.0V[p-p]/75 Ω , PAL, NTSC, BNC connector
RS-485	Half duplex, HIKVISION, Pelco-P, Pelco-D, self-adaptive
Event	
Basic Event	alarm input and output, Motion detection, exception (HDD full, HDD error, network disconnected, IP address conflict, illegal login, abnormal restart), video tampering alarm
Linkage	audible warning, trigger alarm output, trigger recording, notify surveillance center, send email, Upload to FTP/NAS/memory card
Deep Learning Function	
Intelligent Transportation System	<p>Traffic Violation Evidence Collection: illegal parking, reverse driving, over lane line detection, continuous lane change, motor vehicle on non-motor vehicle lane, U-turn, slalom driving, illegal lane change, and queue jumping.</p> <p>Traffic Data Collection: Traffic Flow.</p> <p>Road incident detection: (1) Road incident detection for highways and elevated roads: fallen object detection, pedestrian detection, congestion detection, roadblock detection, construction detection, traffic accident detection, fog detection, smoke detection, and fire detection; (2) Road incident detection for urban roads: congestion detection, roadblock detection, construction detection, traffic accident detection, fog detection, smoke detection, and fire detection</p> <p>Supports general highway incident detection : supports pothole detection, crack detection, and alligator cracking detection</p>
General	
Vandal-proof Alarm	No
Heater	Yes
Wiper	Yes
De-icing	No
Demist	Yes
General Function	IP address filter, mirror, password reset via email, third stream
Power	<p>36 VDC \pm 25%, max. 90 W (Max. 50 W, including max. 15 W for IR and max. 6 W for heater)</p> <p>PoE 802.3bt, type4, class7, max. 75W (Max. 50 W, including max. 15 W for IR and max. 6 W for heater)</p>
Operating Condition	Temperature: -40 $^{\circ}$ C to 70 $^{\circ}$ C (-40 $^{\circ}$ F to 158 $^{\circ}$ F), Humidity: \leq 95%
Dimension	\varnothing 267 mm \times 431 mm (\varnothing 10.5" \times 16.9")
Weight	Approx. 10 kg (22.05 lb.)

Language	33 languages: English, Russian, Estonian, Bulgarian, Hungarian, Greek, German, Italian, Czech, Slovak, French, Polish, Dutch, Portuguese, Spanish, Romanian, Danish, Swedish, Norwegian, Finnish, Croatian, Slovenian, Serbian, Turkish, Korean, Traditional Chinese, Thai, Vietnamese, Japanese, Latvian, Lithuanian, Portuguese (Brazil), Ukrainian
Approval	
EMC	CE-EMC (EN 55032:2015, EN 61000-3-2:2019, EN 61000-3-3:2013, EN 50130-4:2011+A1:2014); RCM (AS/NZS CISPR 32:2015);
Safety	CB (IEC 62368-1:2014+A11); CE-LVD (EN 62368-1:2014+A11:2017),
Environment	CE-RoHS (2011/65/EU); WEEE (2012/19/EU); Reach (Regulation (EC) No 1907/2006)
Anti-Corrosion Protection	NEMA 4X
Protection	IP67 Standard, Lightning Protection, Surge Protection and Voltage Transient Protection, $\pm 6kV$ Line to Gnd, $\pm 3kV$ Line to Line, IEC61000-4-5, IK10

▪ DORI

The DORI (detect, observe, recognize, identify) distance gives the general idea of the camera ability to distinguish persons or objects within its field of view.

It is calculated based on the camera sensor specification and the criteria given by EN 62676-4:2015.

DORI	Detect	Observe	Recognize	Identify
Definition	25 px/m	63 px/m	125 px/m	250 px/m
Distance (Tele)	2848.3 m	1130.3 m	569.7 m	284.8 m

▪ Typical Application

Level	Description
Top-level protection	Hikvision products at this level are equipped for use in areas where professional anti-corrosion protection is a must. Typical application scenarios include coastlines, docks, chemical plants, and more.
Moderate protection	Hikvision products at this level are equipped for use in areas with moderate anti-corrosion demands. Typical application scenarios include coastal areas about 2 kilometers (1.24 miles) away from coastlines, as well as areas affected by acid rain.
No specific protection	Hikvision products at this level are equipped for use in areas where no specific anti-corrosion protection is needed.

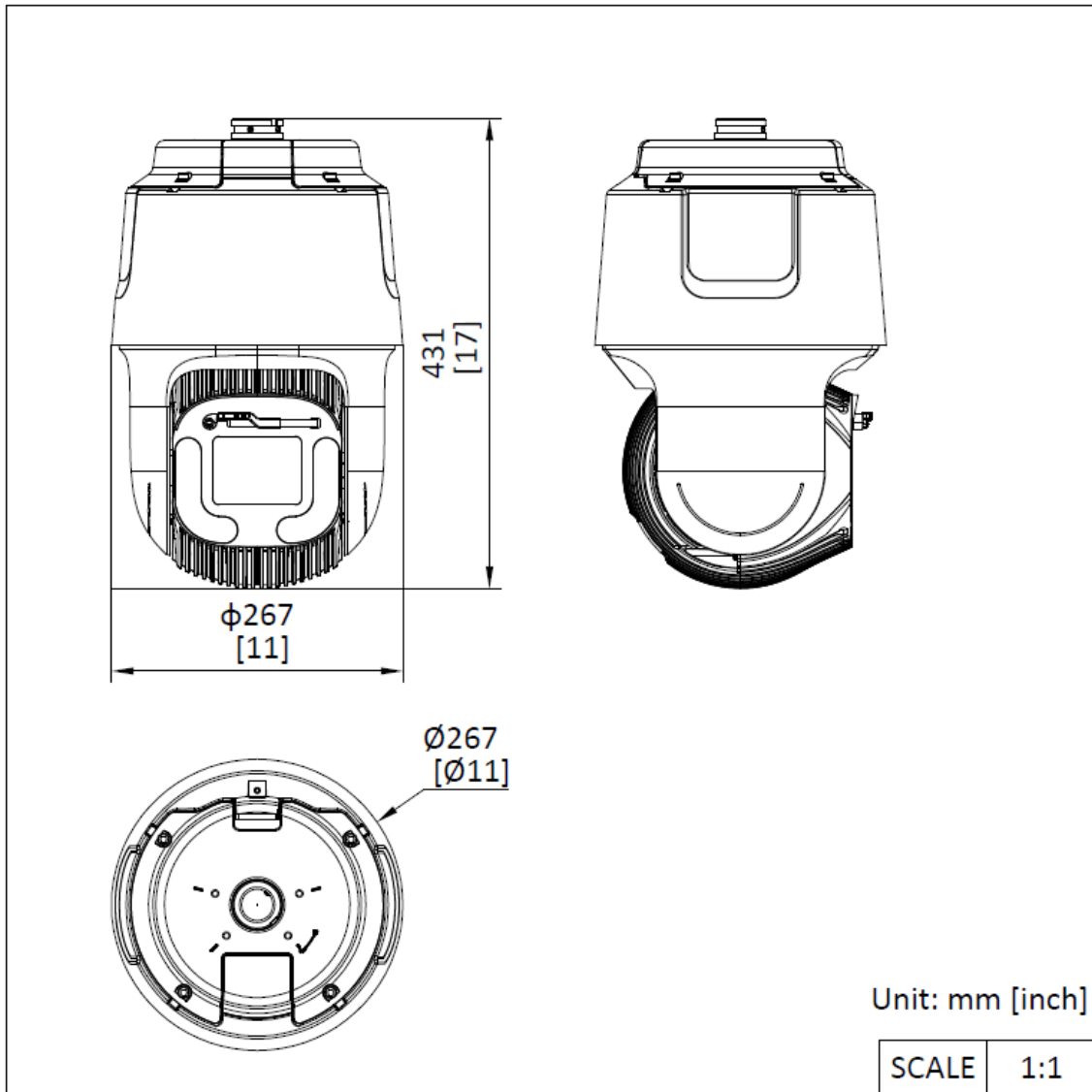
Hikvision products are classified into three levels according to their anti-corrosion performance. Refer to the following description to choose for your using environment.

This model has MODERATE PROTECTION.

▪ Available Model

DS-2DF8C435MHG1-ELWYP

▪ Dimension



▪ Accessory

▪ Optional

DS-1684ZJ-P-Y	DS-1276ZJ-P-Y	DS-1673ZJ-P-Y	DS-4612ZJ-PAAC	DS-4603ZJ-PAAC

See Far, Go Further



www.hikvision.com
support@hikvision.com

