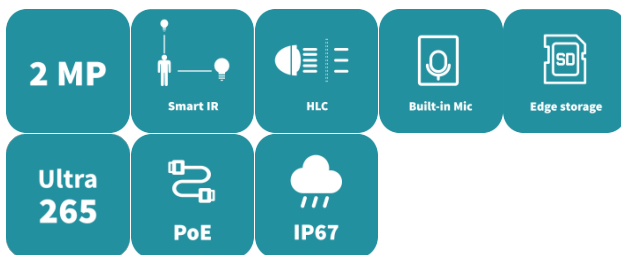


2MP Mini Fixed Bullet Network Camera

IPC-B122-APF28(40)K



Features

- High quality image with 1080P, 1/2.9" CMOS sensor
- 1080P (1920 × 1080)@25/20 fps; 720P (1280 × 720)@25/20 fps
- Ultra 265, H.265, H.264
- 2D/3D DNR (digital noise reduction)
- ROI (region of interest) ensures image quality in areas of interest with low bandwidth
- Smart IR, up to 30 m (98.4 ft.) IR distance
- MicroSD, up to 128 GB
- 3-axis
- Built-in mic
- Wide temperature range: -30 °C to 60 °C (-22 °F to 140 °F)
- DC 12 V, PoE (IEEE 802.3af) power supply
- IP67

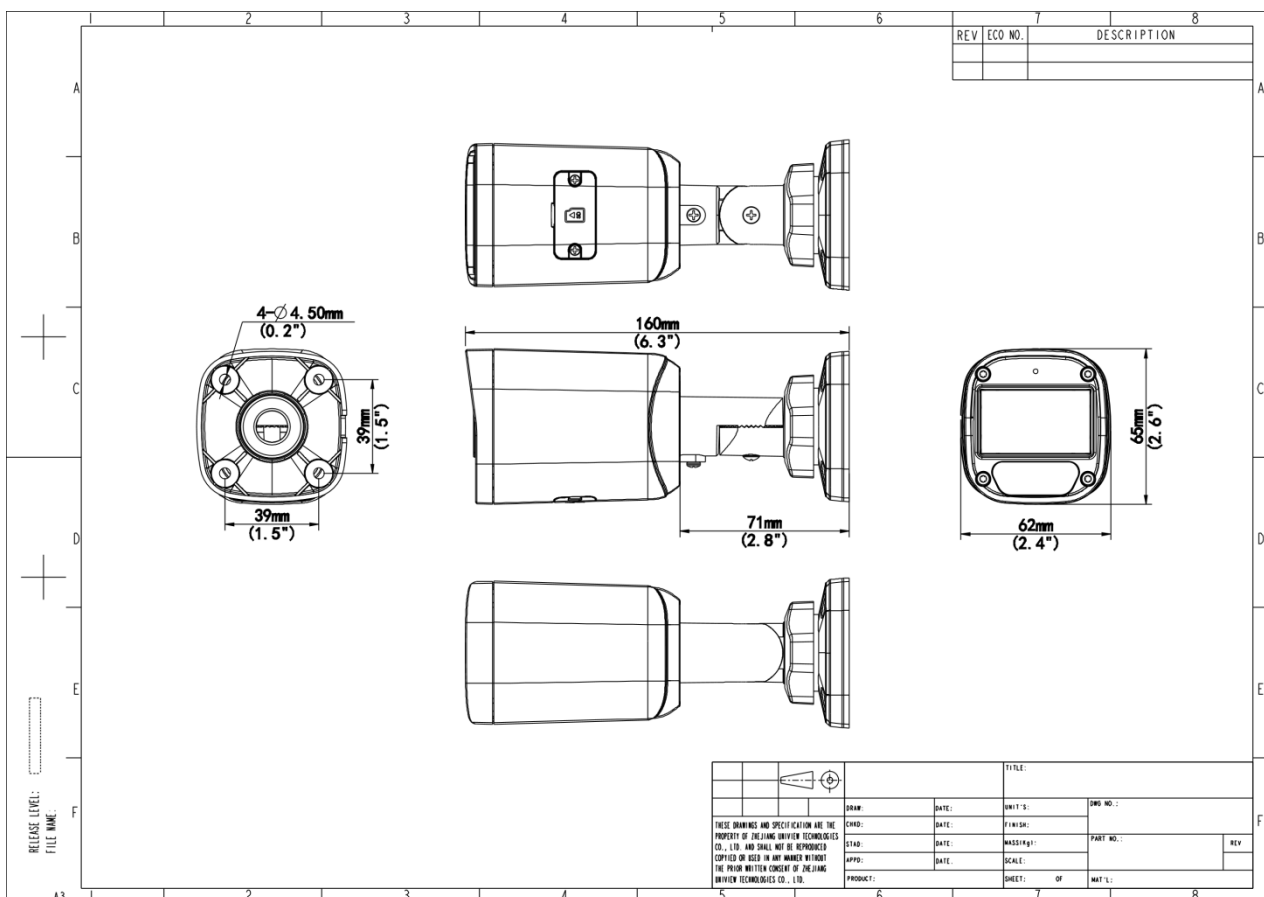
Specifications

| Model | IPC-B122-APF28K | IPC-B122-APF40K |
|----------------------------|---|--------------------|
| Camera | | |
| Max Resolution | 2 MP | |
| Sensor | 1/2.9" CMOS | |
| Min. Illumination | Color: 0.02 Lux (F2.1, AGC ON), 0 Lux with IR on | |
| Day/Night | IR-cut filter with auto switch (ICR) | |
| Shutter | Auto/Manual, 1 ~ 1/100000s | |
| Adjustment Angle | Pan: 0° to 360°, Tilt: 0° to 90°, Rotate: 0° to 360° | |
| S/N | >52 dB | |
| WDR | DWDR | |
| Lens | | |
| Focal Length | 2.8 mm | 4.0 mm |
| Iris | F2.1 | |
| Iris Type | Fixed | |
| Field of View (H) | 101.1° | 83.7° |
| Field of View (V) | 55.0° | 44.6° |
| Field of View (D) | 111.0° | 89.1° |
| DORI | | |
| DORI Distance (Lens) | 2.8 mm | 4 mm |
| DORI Distance (Detect) | 45.0 m (147.6 ft.) | 64.3 m (211.0 ft.) |
| DORI Distance (Observe) | 18.0 m (59.1 ft.) | 25.7 m (84.3 ft.) |
| DORI Distance (Recognize) | 9.0 m (29.5 ft.) | 12.9 m (42.3 ft.) |
| DORI Distance (Identify) | 4.5 m (14.8 ft.) | 6.4 m (21.0 ft.) |
| Illuminator | | |
| Supplemental Light | IR | |
| Illumination Distance (IR) | Up to 30m (98ft) | |
| Wavelength | 850 nm | |
| IR On/Off Control | Auto/Manual | |
| Video | | |
| Video Compression | Ultra 265, H.265, H.264 | |
| H.264 Code Profile | Baseline profile, Main profile, High profile | |
| Frame Rate | Main Stream: 1080P (1920 × 1080), max. 25 fps; 720P (1280 × 720), max. 25 fps; Sub Stream: D1 (720 × 576), max. 25 fps; 640 × 360, max. 25 fps; 2CIF (704 × 288), max. 25 fps; CIF (352 × 288), max. 25 fps; | |
| Video Bit Rate | 128 Kbps to 6144 Kbps | |
| U-code | Support | |
| OSD | Up to 4 OSDs | |
| Privacy Mask | Up to 4 areas | |
| ROI | Up to 8 areas | |
| Video Stream | Dual streams | |

| Image | |
|-------------------------|--|
| White Balance | Auto, Outdoor, Fine tune, Sodium lamp, Locked, Auto2 |
| Digital Noise Reduction | 2D/3D DNR |
| Smart IR | Support |
| Flip | Normal, Flip vertical, Flip horizontal, 180° |
| Dewarping | N/A |
| HLC | Support |
| BLC | Support |
| Defog | Digital defog |
| Events | |
| Basic Detection | Motion detection, Audio detection |
| General Function | Watermark, IP address filtering, Access policy, ARP protection, RTSP authentication, User authentication, HTTP authentication |
| Storage | |
| Edge Storage | MicroSD, up to 512 GB |
| Network Storage | ANR |
| Audio | |
| Audio Compression | G.711U, G.711A |
| Audio Bitrate | 64 Kbps |
| Two-way Audio | N/A |
| Suppression | Support |
| Sampling Rate | 8 kHz |
| Network | |
| Protocols | IPv4, IGMP, ICMP, TCP, UDP, DHCP, RTP, RTSP, RTCP, RTMP, DNS, DDNS, NTP, UPnP, HTTP, HTTPS, QoS |
| Compatible Integration | ONVIF (Profile S, Profile G, Profile T), API |
| User/Host | Up to 32 users, 2 user levels: administrator and common user |
| Client | APP, Uniarch client |
| Web Browser | Plug-in required live view: IE 10+, Chrome 45+, Firefox 52+, Edge 79+, Plug-in free live view: Chrome 57+, Firefox 58+, Edge 16+ |
| Interface | |
| Audio I/O | N/A |
| Alarm I/O | N/A |
| Built-in Mic | Support |
| Built-in Speaker | N/A |
| WIFI | N/A |
| Network | 1 × RJ45 10 M/100 M Base-TX Ethernet |
| Video Output | N/A |
| Certification | |
| EMC | CE-EMC (EN 55032, EN 61000-3-3, EN IEC 61000-3-2, EN 55035) FCC (FCC 47 CFR part15 B) |
| Safety | CE LVD (EN 62368-1) CB (IEC 62368-1) |

| | |
|---------------------|---|
| Environment | CE-RoHS (2011/65/EU;(EU)2015/863); WEEE (2012/19/EU); |
| Protection | IP67 (IEC 60529) |
| General | |
| Power | DC 12 V±25%, PoE (IEEE 802.3af) Power consumption: Max. 3.2 W |
| Power Interface | Ø5.5 mm coaxial power plug |
| Dimensions | 160 mm × 62 mm × 65 mm (6.3" × 2.4" × 2.6") (L × W × H) |
| Weight | 0.21 kg (0.46 lb.) |
| Material | Graphene + Plastic |
| Storage Environment | -30 °C to 60 °C (-22 °F to 140 °F), Humidity: ≤ 95% RH (non-condensing) |
| Working Environment | -30 °C to 60 °C (-22 °F to 140 °F), Humidity: ≤ 95% RH (non-condensing) |
| Surge Protection | 4 KV |
| Reset Button | N/A |

Dimensions



Accessories

TR-JB05-A-IN

Small Bullet Junction Box(Support wiring from behind,Square)



TR-UP06-B-IN

Bullet Pole Mounting Bracket



TR-A01-IN

NPT 3/4" Waterproof Cable Gland



TR-UP06-C-IN-V2

Pole Mounting Bracket for Bullet Junction Box Only



TR-UC08-C-V2

Bullet&Dome Corner Mounting Bracket



Zhejiang Uniview Technologies Co., Ltd.



<http://www.uniview.com>



overseasbusiness@uniview.com; globalsupport@uniview.com



No. 369, Xietong Road, Xixing Sub-district, Binjiang District, Hangzhou City, 310051, Zhejiang Province, China



©2023-2025 Zhejiang Uniview Technologies Co., Ltd. All rights reserved.

*Product specifications and availability are subject to change without notice.

*Despite our best efforts, technical or typographical errors may exist in this document.

Uniview cannot be held responsible for any such errors and reserves the right to change the contents of this document without prior notice.