

# Horn IP Speaker 30W IPS302030-S



## Features

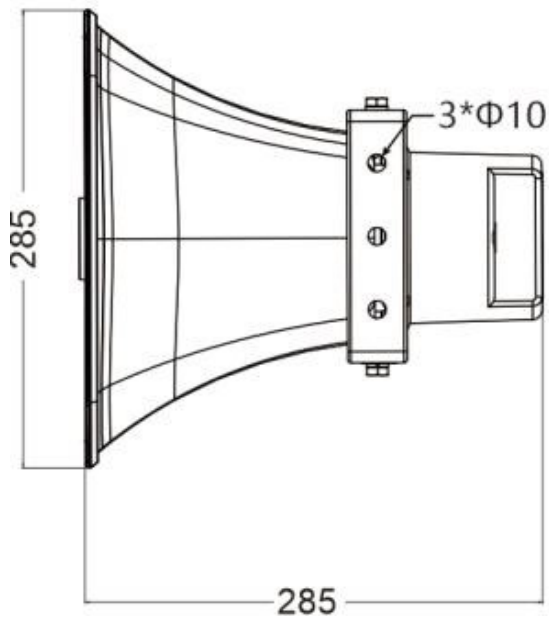
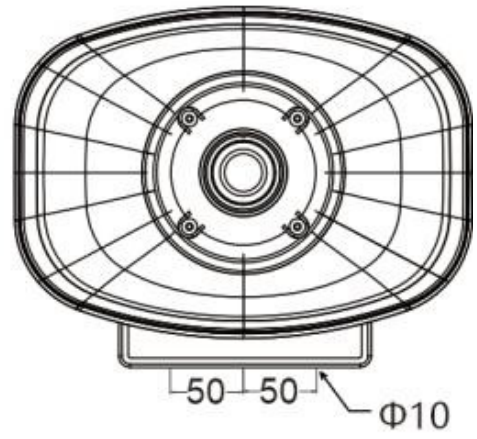
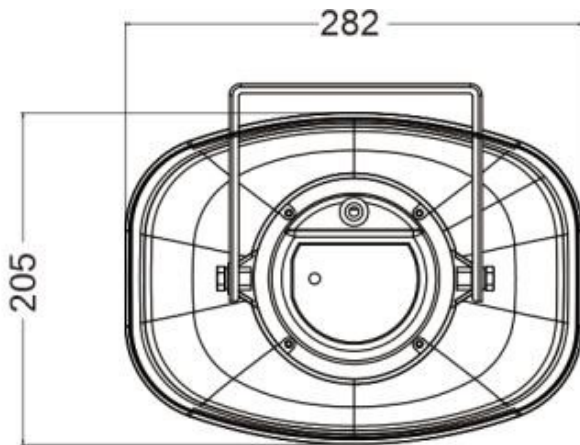
- Built in 1 high-quality speaker with loud sound, long penetration and clear
- Support alarm broadcast with uniview NVR, video and audio linkage.
- Built in storage, support uploading custom audios
- Support two-way audio
- Support PoE power supply

## Specifications

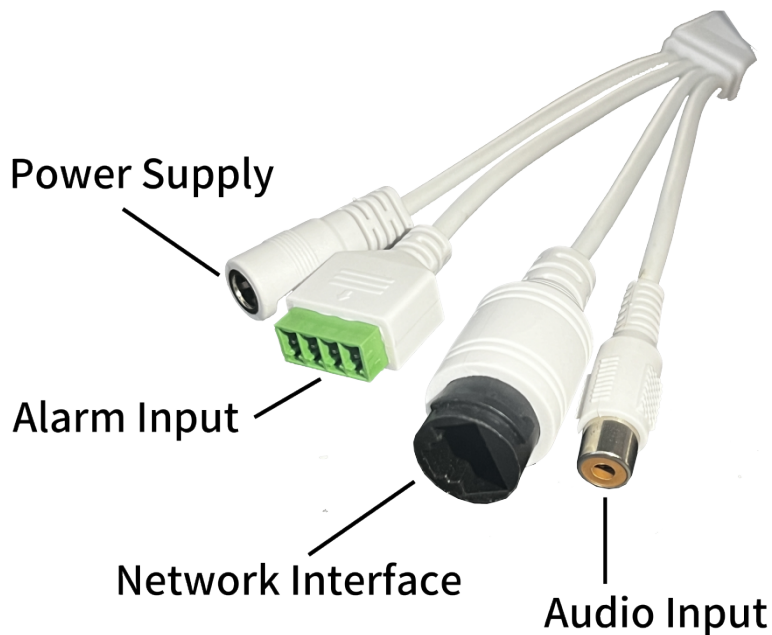
<b>Model</b>	IPS302030-S
<b>Speaker</b>	
Rated Power	30 W
Max. Acoustic Pressure	130 dBSPL
Frequency Response	300 Hz to 12.5 kHz
Impedance	8 Ω
<b>Material</b>	
Material	ABS Plastic
<b>Network</b>	
Network Protocol	IPv4, HTTP, HTTPS, SSL/TLS, DNS, TCP, UDP, DHCP, UPnP, ARP, SSH
Interface Protocol (API)	ONVIF, RTSP, RTP, LAPI
Browser	Firefox 87+, Chrome 90+, Edge 90+, Safari 17+
<b>Build in Mic</b>	
Amount	1
Frequency Response	100 Hz to 8 kHz

Sensitivity	-37 dBV/Pa
Sampling Rate	8 kHz
Quantization Bits	16 bit
<b>Audio</b>	
Broadcast	Regular Broadcast, Live Broadcast, Alarm Broadcast
Two-Way Audio	Support
Audio Compression	G.711U
Audio File Format	MP3, WAV
Audio File Size	2 KB ≤ Audio File Size ≤ 10 MB
Audio File Storage	64 MB
Audio File Number	100 (Include system built-in files )
<b>Language</b>	
Language	38 languages: Simplified Chinese, Traditional Chinese, English, Vietnamese, Thai, Turkish, Spanish (Latin America), Portuguese (Brazil), Spanish, Portuguese, French, German, Italian, Dutch, Polish, Czech, Hungarian, Slovak, Russian, Hebrew, Arabic, Ukrainian, Estonian, Bulgarian, Greek, Romanian, Danish, Swedish, Norwegian, Finnish, Croatian, Slovenia, Serbia, Korean, Japanese, Latvian, Lithuanian, Persian
<b>Interface</b>	
Network Interface	1 RJ45 10 M/100 M self adaptive Ethernet Interface
Audio In	RCA (only be used for sound amplification,cannot be used for intercom)
Alarm In	2
Power Supply	PoE (IEEE 802.3at), DC 24 V/1.4 A, DC 12 V/2.5 A
<b>Certification</b>	
Safety	CE LVD (EN IEC 62368-1: 2020+A11: 2020), UL (UL 62368-1, 3rd Ed., Issue Date: 2019-12-13)
EMC	CE-EMC (EN 55032: 2015 + A1: 2020, EN 61000-3-3: 2013 + A1: 2019, EN IEC 61000-3-2: 2019 + A1: 2021, EN 55035: 2017 + A11: 2020), FCC (FCC CFR 47 part15 B, ANSI C63.4-2014)
Environment	CE-RoHS (2011/65/EU; (EU) 2015/863): WEEE (2012/19/EU); Reach (Regulation (EC) No 1907/2006)
<b>Compliance</b>	
NDA Compliant	Support
<b>Working Environment</b>	
Working Temperature	-30 °C to 55 °C (-22 °F to 131 °F)
Working Humidity	≤ 90% RH (non-condensing)
<b>Dimensions</b>	
Dimensions	282mm × 205mm × 285mm (11.1"×8.1"×11.2")
<b>Approval</b>	
Protection	IP66

# Dimensions



## Cable Interface



### Zhejiang Uniview Technologies Co., Ltd.

- <http://www.uniview.com>
- [overseasbusiness@uniview.com](mailto:overseasbusiness@uniview.com); [globalsupport@uniview.com](mailto:globalsupport@uniview.com)
- No. 369, Xietong Road, Xixing Sub-district, Binjiang District, Hangzhou City, 310051, Zhejiang Province, China



©2023-2025 Zhejiang Uniview Technologies Co., Ltd. All rights reserved.  
\*Product specifications and availability are subject to change without notice.  
\*Despite our best efforts, technical or typographical errors may exist in this document.  
Uniview cannot be held responsible for any such errors and reserves the right to change the contents of this document without prior notice.