

# 22 inches IT Monitor

MW-LC22-P

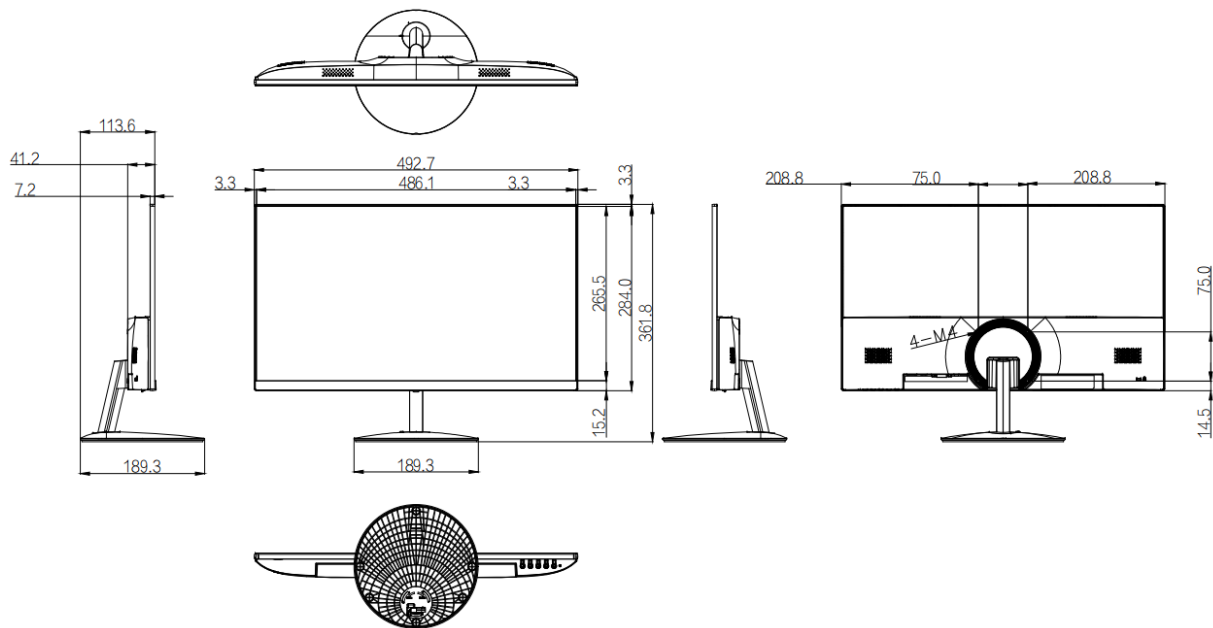


## Specifications

Model	MW-LC22-P
<b>Panel</b>	
Backlight	LED
Panel Size	21.45"
Resolution	1920 × 1080
Color Support	16.7 M
Brightness (cd/m <sup>2</sup> )	250
Contrast Ratio	3000:1
Refresh Rate	100 Hz
Response Time (ms)	OD 5
Viewing Angle (H/V)	Horizontal 178°, Vertical 178°
Display Size (mm)	478.656(H)*260.28(V)
Color Gamut	72% NTSC
Panel Type	VA
<b>Interface</b>	
Video Input	1 x HDMI, 1 x VGA
<b>VESA</b>	
VESA (mm)	75*75
<b>OSD</b>	
Multi-Language	Chinese, English, German, French, Italian,
<b>General</b>	
Input Voltage	DC 12 V, 2 A

Typical Power Consumption (W)	≤24
Standby Power Consumption (W)	≤0.5
Product Dimensions (W × H × D) (mm)	492.7*284.0*41.2
Package Dimensions (W × H × D) (mm)	598*99*366
Weight (kg)	Net Weight: 2.05 Gross Weight: 2.86
Operating Temperature	0°C ~ 40°C
Operating Humidity	10% ~ 85% (No Condensation)
Storage Temperature	-20°C ~ 60°C
Storage Humidity	10% ~ 90% (No Condensation)
Standard	1 x HDMI Cable, 1 x Quick Guide, 1 x Pedestal, 1 x Adapter

## Dimensions



### Zhejiang Uniview Technologies Co., Ltd.

No. 369, Xietong Road, Xixing Sub-district, Binjiang District, Hangzhou City, 310051, Zhejiang Province, China

Email: [overseasbusiness@uniview.com](mailto:overseasbusiness@uniview.com); [globalsupport@uniview.com](mailto:globalsupport@uniview.com)

<http://www.uniview.com>

©2024-2025 Zhejiang Uniview Technologies Co., Ltd. All rights reserved.

\*Product specifications and availability are subject to change without notice.

\*Despite our best efforts, technical or typographical errors may exist in this document. Uniview cannot be held responsible for any such errors and reserves the right to change the contents of this document without prior notice.