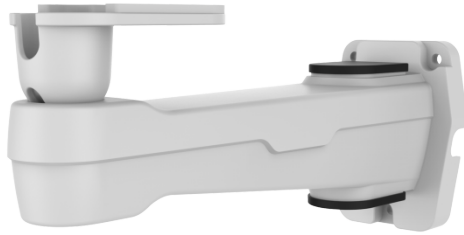


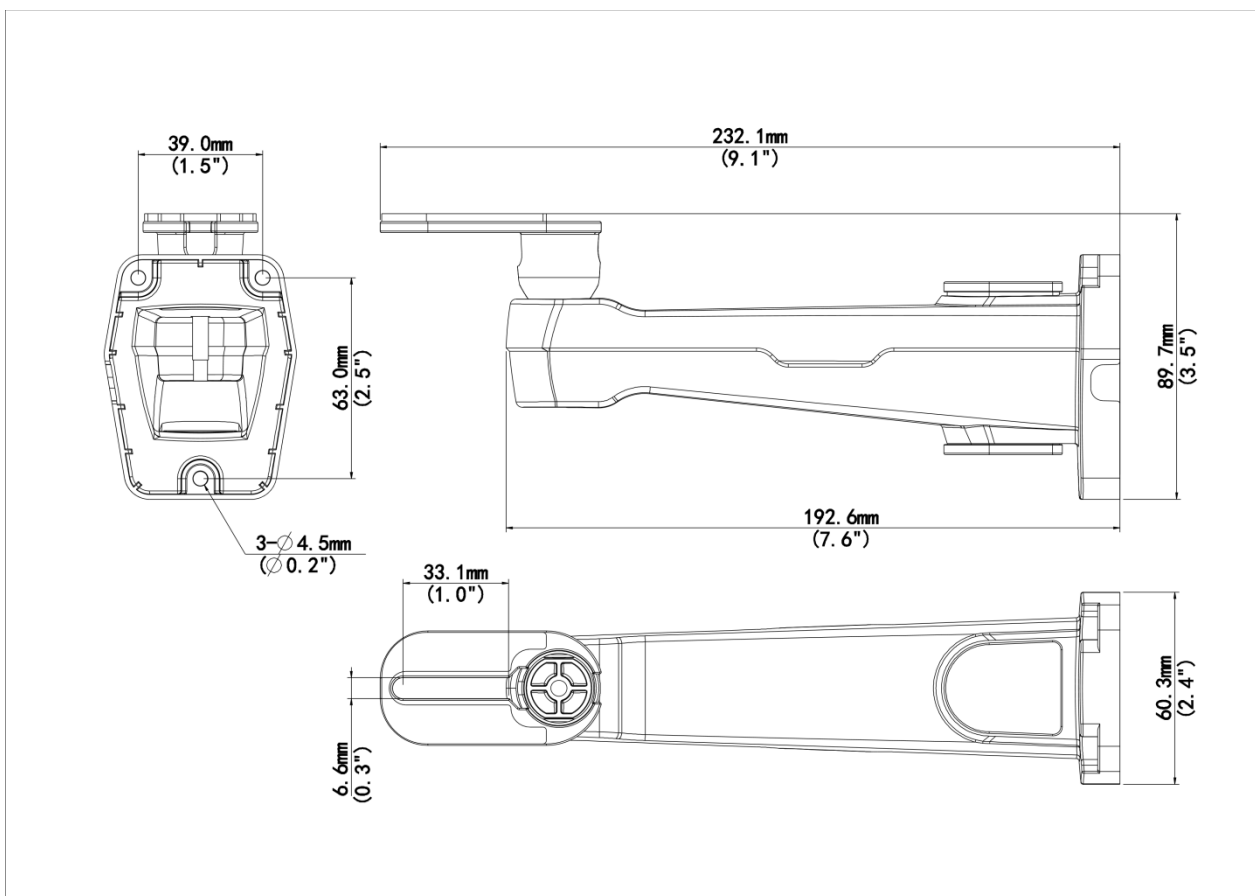
**Bullet Wall Mount**  
**TR-WM06-C-IN**



# Specifications

<b>Model</b>	TR-WM06-C-IN
<b>Bracket</b>	
<b>Application</b>	wall installation for Bullet
<b>Bracket Material</b>	Aluminum alloy
<b>Bracket Dimensions</b>	232.1 mm × 60.3 mm × 89.7 mm (9.1" × 2.4" × 3.5")
<b>Bracket Weight</b>	0.2 kg (0.44 lb)

# Dimensions



# Accessories

**HS-217S-B-NB**  
 17" Outdoor Box Camera  
 Housing(Standard Edition)



**HS-217SHB-B-NB**  
 Outdoor Enhanced Integrated Housing(17  
 Inch,Plastic Sunshade)



**HS-217SHB-IR-B-NB**  
 Outdoor Enhanced IR Integrated  
 Housing(17 Inch,Plastic Sunshade,IR)



TR-WM06-C-IN

Wall Mounting Bracket for 6-inch Bullet Camera



TR-UM06-A-IN

Bullet Camera Desktop Bracket



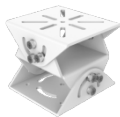
TR-WM06-I-IN

Wall Mounting Bracket for 28&29Housing



TR-UV06-A-IN

3D Adjustable Mounting Bracket



TR-UP06-IN

Universal Pole Mounting Bracket



**Zhejiang Uniview Technologies Co., Ltd.**



<http://www.uniview.com>



[overseasbusiness@uniview.com](mailto:overseasbusiness@uniview.com); [globalsupport@uniview.com](mailto:globalsupport@uniview.com)



No. 369, Xietong Road, Xixing Sub-district, Binjiang District, Hangzhou City, 310051, Zhejiang Province, China



©2023-2025 Zhejiang Uniview Technologies Co., Ltd. All rights reserved.

\*Product specifications and availability are subject to change without notice.

\*Despite our best efforts, technical or typographical errors may exist in this document.

Uniview cannot be held responsible for any such errors and reserves the right to change the contents of this document without prior notice.