

3MP+3MP HD Outdoor Dual-lens PT Wi-Fi Camera

Uho-P2S-M33F34



Features

- Fixed camera and PTZ camera integration, dual channels with one IP, look at overall situation and consider details at the same time
- Ultra 265, H.265, H.264
- Support digital WDR (Wide Dynamic Range)
- Built-in Mic & Speaker, support two-way audio, offer better interaction
- Support sound and light warning, makes warning and alarming more noticeable
- Smart IR, up to 30 m (98 ft) IR and 10m (33ft) warm light distance, suitable for more scenes
- IR & warm light illumination to deal with different scenes and achieve full-color illumination
- Supports 512 GB Micro SD card
- Wi-Fi connection and easy installation
- IP66 ingress protection

Specifications

Camera	Description
Sensor-Panorama	1/2.8", 3MP, CMOS
Min. Illumination-Panorama	Colour:0.003 lux (F1.6,AGC ON) 0 lux with IR
Day/Night-Panorama	IR-cut filter with auto switch (ICR)
Sensor-Detail	1/2.8", 3MP, CMOS
Min. Illumination-Detail	Colour:0.003 lux (F1.6,AGC ON) 0 lux with IR
Day/Night-Detail	IR-cut filter with auto switch (ICR)
Shutter	Auto/Manual, 1 ~ 1/100000s
WDR	DWDR
S/N	>52dB
Lens	Description
Lens Type-Panorama	2.8mm@F1.6
Digital Zoom-Panorama	N/A
Iris-Panorama	Fixed
Field of View (H)-Panorama	113.4°
Field of View (V)-Panorama	59.4°
Field of View (D)-Panorama	121.7°
Lens Type-Detail	4.0mm@F1.6
Digital Zoom-Detail	4X
Iris-Detail	Fixed
Field of View (H)-Detail	91.5°
Field of View (V)-Detail	48.1°
Field of View (D)-Detail	96.3°
DORI	Description
DORI Distance (Lens)-Panorama	2.8mm
DORI Distance (Detect)-Panorama	51.4 (168.7ft)
DORI Distance (Observe)-Panorama	20.6 (67.5ft)

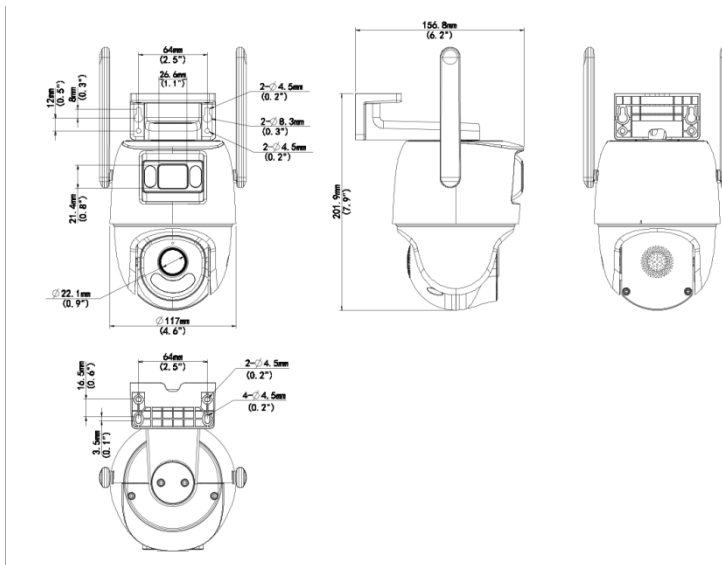
DORI Distance (Recognize)-Panorama	10.3 (33.7ft)
DORI Distance (Identify)-Panorama	5.1 (16.9ft)
DORI Distance (Lens)-Detail	4.0mm
DORI Distance (Detect)-Detail	73.5 (241.0ft)
DORI Distance (Observe)-Detail	29.4 (96.4ft)
DORI Distance (Recognize)-Detail	14.7 (48.2ft)
DORI Distance (Identify)-Detail	7.3(24.1ft)
Illuminator	Description
IR Range-Panorama	10m
Warm Light Range-Panorama	10m
Wavelength-Panorama	850 nm
IR Range-Detail	30m
Warm Light Range-Detail	30m
Wavelength-Detail	850 nm
Light On/Off Control	Auto/Manual
Video	Description
Frame Rate-Panorama	Main Stream: 3MP (2304*1296), Max 15fps; 2MP (1920*1080), Max 15fps; 720P (1280*720), Max 15fps; Sub Stream: 640*360,Max 15fps; 2CIF(704*288), Max 15fps; CIF(352*288), Max 15fps;
Video Compression	Ultra 265; H.265; H.264
Frame Rate-Detail	Main Stream: 3MP (2304*1296), Max 15fps; 2MP (1920*1080), Max 15fps; 720P (1280*720), Max 15fps; Sub Stream: 640*360,Max 15fps; 2CIF(704*288), Max 15fps; CIF(352*288), Max 15fps;
Frame Rate-Main Stream	3MP (2304*1296), Max 15fps; 2MP (1920*1080), Max 15fps; 720P (1280*720), Max 15fps;
Frame Rate-Sub Stream	640*360,Max 15fps; 2CIF(704*288), Max 15fps; CIF(352*288), Max 15fps;
Video Bit Rate	128 Kbps ~ 6144 Kbps
ROI	Up to 8 areas
Video Stream	Triple Streams
OSD	Up to 2 OSDs
Privacy Mask	Support(Only NVR)

Image	Description
White Balance	Auto; Outdoor; Fine Tune; Sodium Lamp; Locked; Auto2
Digital Noise Reduction	2D/3D DNR
Smart IR	Support
Flip	Normal; Flip Vertical; Flip Horizontal; 180°
HLC	N/A
BLC	N/A
Defog	Digital Defog
Events	Description
Basic Detection	Motion Detection; Ultra Motion Detection (based on Human Body and Vehicle Detection); Tampering Alarm; Audio Detection
Auto Tracking-Panorama	N/A
Auto Tracking-Detail	Support
General Function	IP Address Filtering; Access Policy; ARP Protection; RTSP Authentication; User Authentication; HTTP authentication
Audio	Description
Audio Compression	G.711U; G.711A
Audio Bitrate	64 Kbps
Two-way Audio	Support
Suppression	Support
Sampling Rate	8 KHz
Storage	Description
Edge Storage	Micro SD, up to 512 GB
Network Storage	ANR
Network	Description
Wi-Fi	2.4G Wi-Fi (IEEE802.11b/g/n/ax), built-in antenna
Protocols	IPv4; TCP; UDP; DHCP; RTSP; DNS; DDNS; NTP; HTTP
Compatible Integration	API
Client	Uniarch Client; Uniarch APP
Web Browser	Plug-in required live view: IE 10 and above, Chrome 45 and above, Firefox 52 and above, Edge 79 and above
Wi-Fi	Description

Wireless Standards	IEEE802.11b/g/n/ax
Frequency Range	2.4 GHz ~ 2.4835 GHz
Channel Bandwidth	20/40 MHz Support
Modulation Mode	802.11b: CCK 802.11g/n: OFDM 802.11ax: OFDMA
Wi-Fi Security	64/128-bit WEP, WPA-PSK/WPA2-PSK
Transmit Power	802.11b: 17 ± 1.5dBm @11Mbps 802.11g: 16 ± 1.5dBm @54Mbps 802.11n: 16 ± 1.5dBm @MCS7 802.11ax: 16 ± 1.5dBm @MCS9
Receive Sensitivity	802.11b: -76dBm @11Mbps (Typical) 802.11g: -65dBm @54Mbps (Typical) 802.11n: -61dBm @MCS7, HT40 (Typical) 802.11ax: -54dBm @MCS9, HE40 (Typical)
Transmission Rate	802.11b: 11Mbps 802.11g: 54Mbps 802.11n: up to 150Mbps 802.11ax: up to 270Mbps
PTZ	Description
Pan Range-Panorama	-90° ~ 90°
Pan Speed-Panorama	N/A
Tilt Range-Panorama	-5° ~ 30°
Tilt Speed-Panorama	N/A
Pan Range-Detail	0° ~ 350°
Pan Speed-Detail	1°/s ~ 40°/s Preset speed: 40°/s
Tilt Range-Detail	0° ~ 90°
Tilt Speed-Detail	1°/s ~ 30°/s Preset speed: 30°/s
Number of Presets	20
Interface	Description
Built-in Mic	Support
Built-in Speaker	Support
WIFI	Support

Network	1 x RJ45 10M/100M Base-TX Ethernet
Video Output	N/A
General	Description
Power Consumption	MAX 10.1W
Power Interface	Ø 5.5 mm coaxial power plug
Power	DC 12V ± 25%
Dimensions	Φ 117mm*117mm*202mm (Φ4.6" x 4.6" x 7.9")
Weight	0.61kg (1.134b)
Working Environment	-30°C ~ 60°C (-22°F to 140°F), Humidity: ≤95% RH(non-condensing)
Storage Environment	-30°C ~ 60°C (-22°F to 140°F), Humidity: ≤95% RH(non-condensing)
Surge Protection	4KV
Reset Button	Support
LED Indicator	1, red/blue
Certification	Description
EMC	CE EMC (EN 55032,EN 61000-3-3,EN IEC 61000-3-2,EN 50130) FCC (FCC 47 CFR part15 B)
RF	FCC ID (FCC CFR 47 part15 C) CE RED (EN 301 489-1, EN 301 489-17, EN 300 328, EN 62311)
Safety	CE LVD (EN 62368-1)
Environment	CE-RoHS (2011/65/EU;(EU)2015/863); WEEE (2012/19/EU)
Protection	IP66 (IEC 60529)

Dimensions



Zhejiang Uniview Technologies Co., Ltd.

No. 369, Xietong Road, Xixing Sub-district, Binjiang District, Hangzhou City, 310051, Zhejiang Province, China

Email: overseasbusiness@uniview.com; globalsupport@uniview.com

<http://www.uniview.com>

©2024 Zhejiang Uniview Technologies Co., Ltd. All rights reserved.

*Product specifications and availability are subject to change without notice.

*Despite our best efforts, technical or typographical errors may exist in this document. Uniview cannot be held responsible for any such errors and reserves the right to change the contents of this document without prior notice.